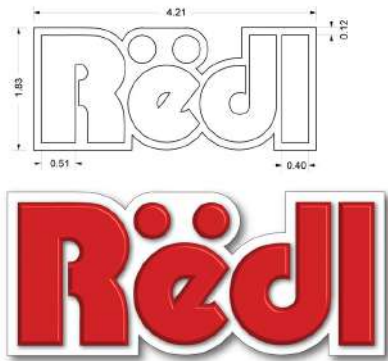


Concept



Color: #27933 Red



Finished Sign



Concept



Finished Sign



LED Sign Module



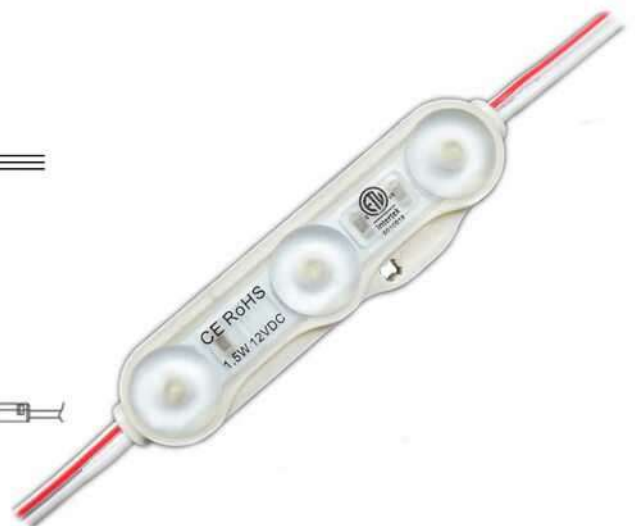
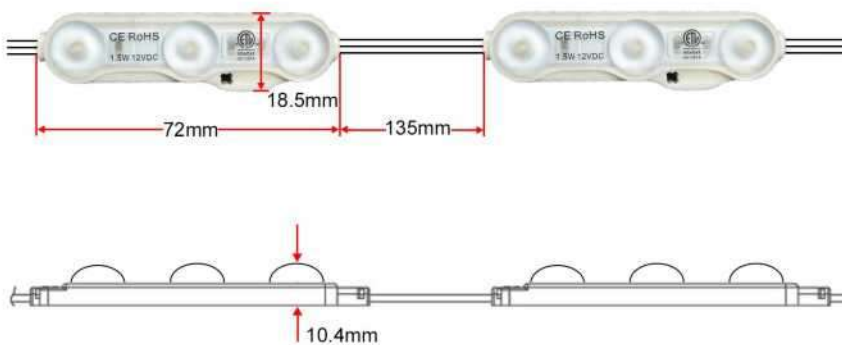
Features:

Using high quality Tri-Chip (5050) SMD LED for improved brightness. Red, Green, Blue, Amber, White and Warm White colors available. Slim body design for easy installation with mounting holes plus. 3M adhesive tape on the back. Engineered to be IP66. Beam Angle 165°. 25 pcs/streing, 50 pcs/bag.

Applications:

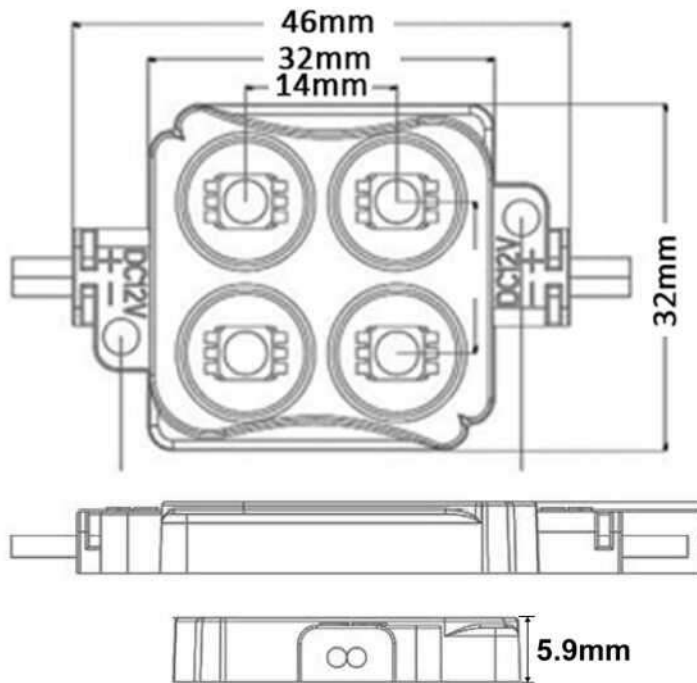
- Back Lighting channel letters
- Signage
- Cover lighting
- Under Cabinet Lighting

3 LED White Module Specifications:



Description	Part No.	Input Voltage	Current (mA)	Consumption Watts	LED Qty	Max. Piece Single Connection	LUM	Viewing Angle	Measurement (L*W*H mm)	Waterproof
Waterproof Tri-Chip 3LEDs Module 3000K, 4000K, 6000K, and 10000K	MOD-3	DC12V	50mA	1.5W	3	50	130-150LM	165°	72*18.5*10.4	IP66

4 LED White Module Specifications:



Description	Part No.	Input Voltage	Current (mA)	Consumption Watts	LED Qty	Max. Piece Single Connection	LUM	Viewing Angle	Measurement (L*W*H mm)	Waterproof
Waterproof Tri-Chip 4LEDs Module White, WarmWhite	MOD-4	DC12V	50mA	1.44W	4	40	98 (White) 75(WarmW)	160°	46 * 32 * 5.9	IP67

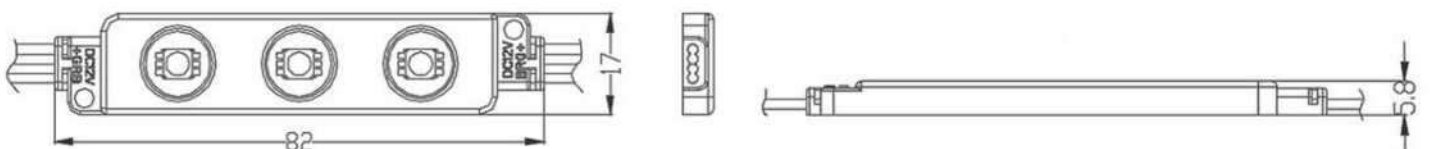
3 LED RGB Module

Features:

All the same features as the other modules in the series, but when connected to an RGB controller, RGB LED Module can produce an unlimited amount of color changing effects!
 Color fade, color jump, color mixing and many more.



Specifications:



Description	Part No.	Input Voltage	Current (mA)	Consumption Watts	LED Qty	Max. Piece Single Connection	LUM	Viewing Angle	Measurement (L*W*H mm)	Waterproof
Waterproof Chip RGB 3LEDs Module	MOD-RGB	DC12V	50mA	1.5W	3	50	100LM	165°	82 * 17 * 5.8	IP67