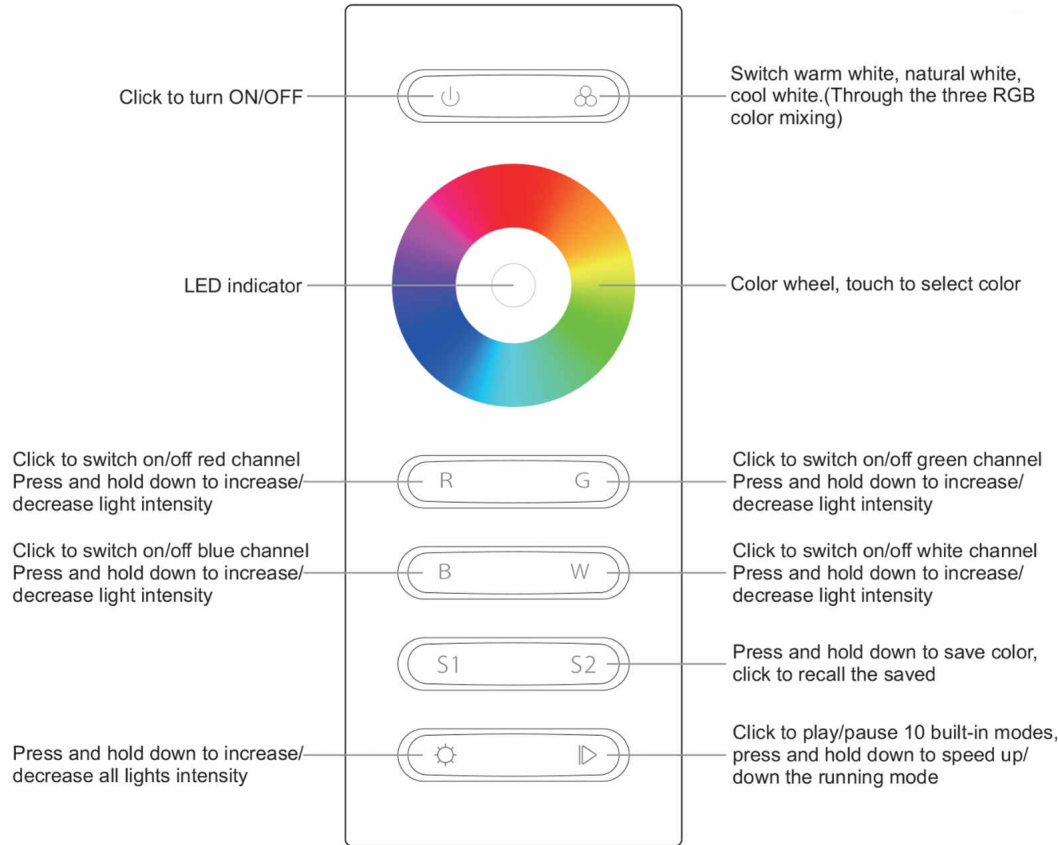


RGBW Receiver / Remote Combo

Remote Function

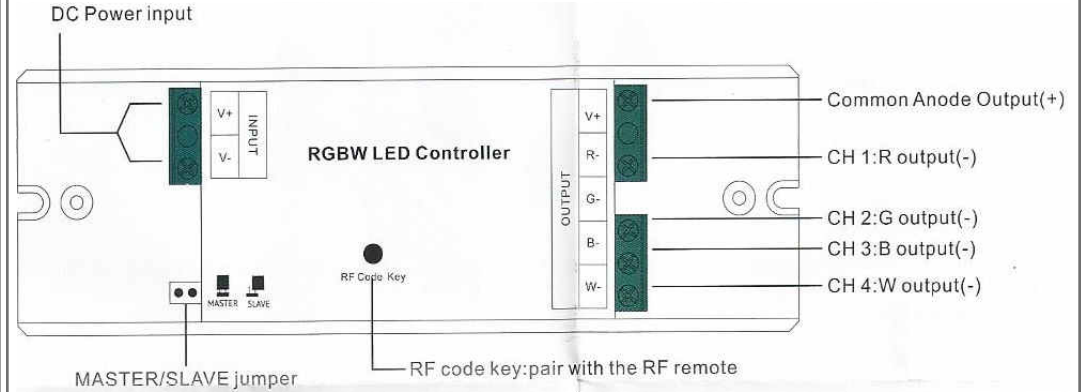


Remote Data

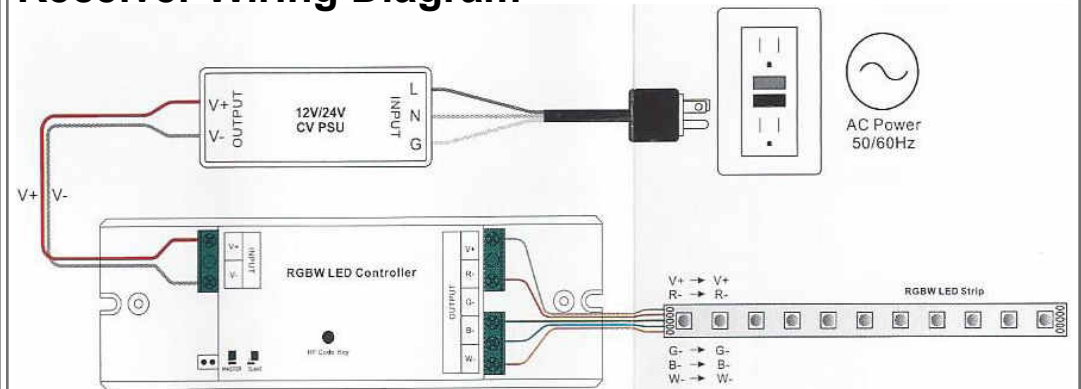
Output	RF signal
Operation Frequency	868/915/434MHz
Power Supply	4.5V(3xAAA battery)
Operating Temperature	0-40°C
Relative Humidity	8% to 80%
Dimensions	120x48x17.6mm

- Control 1 zone of RF receiver
- RGBW color controller
- Compatible with universal series RF receiver
- 1 receiver can be paired by max 8 different Remote controls
- Waterproof grade: IP20

Receiver Function



Receiver Wiring Diagram



Receiver Data

Input Voltage	12-24VDC
Output Current	4x5A
Output Power	4x(60-120)W
Remarks	Constant Voltage
Dimensions	145x46.5x16mm

Pair with RF Receiver

1. Turn on the remote
2. Click "RF Code Key" on the Receiver
3. Touch the color wheel on Remote
4. LED lights connected with the Receiver will flicker once
5. The RGBW Receiver Controller is paired with the Remote successfully

How to delete the pairing:

Press and hold down "RF Code Key" on the Receiver for over 3 seconds until the connected LED lights will flicker twice, which means the pairing is deleted successfully.