

Domed-Top LED Neon (11x18mm)



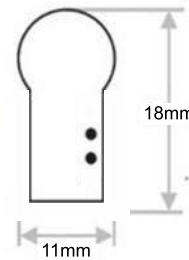
Features

- Flexible and Bendable
- Uniform Light with no dark spots
- IP67 Rated Waterproofing
- Anti-Oxidation, UV Protection
- Pure copper conducting wire
- Cutable every 100mm

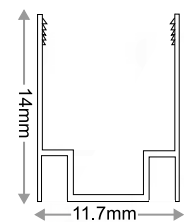
Applications

- Edge Lighting
- Accent Lighting
- Cove Lighting
- LED Signs
- Replaces NEON Lights

11mm Domed Top



Channel Size



Specifications

Voltage	24V DC
Power	10 Watts / Meter
Chip Type	SMD 5050
LED Quantity	120 LED's / Meter
Beam Angle	270°
IP Rating	IP67
Material	Milky White PVC
Max Load Length	15 Meters
Cutting Length	100mm
Dimensions	11 x 18mm
Lumen Output	600 Lm/M
Colour Option	4000K, RGB, RGBW

Accessories



Controlling Systems



Mobile App



Wifi Controller



RF Remote

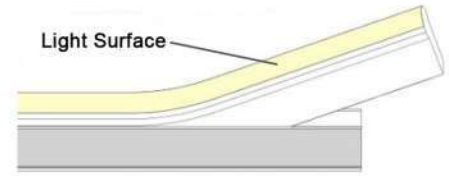


LED Controller

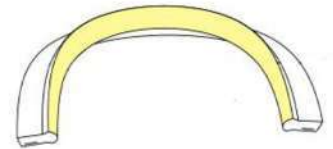
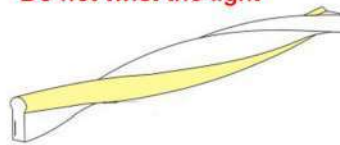
Caution

1. Before making any cuts, installation, maintenance, or connection, be sure the fixture is disconnected!
2. Note: all connector joints must be connected correctly and sealed well to achieve IP67 rating.
3. Please operate this flex light according to the instructions, the working voltage must match product requirements.
4. Please confirm the polarity of the connector before inserting the front connection cable.
5. Connect and cut this product correctly. Incorrect cutting and connecting will damage this product.
6. Do not twist this fixture, or it will result in damaging the internal circuit board.

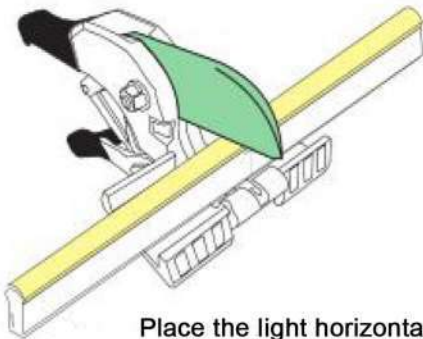
Can only be bent along the Light Surface



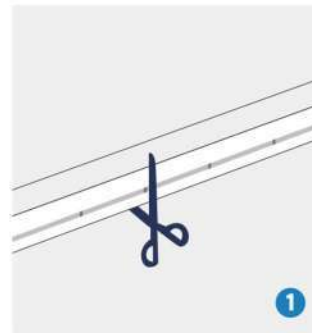
Incorrect
 Do not twist the light



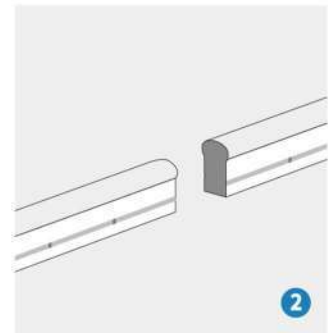
Cutting Instruction



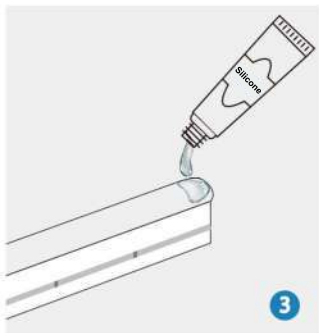
Place the light horizontally and the light-emitting surface facing outwards



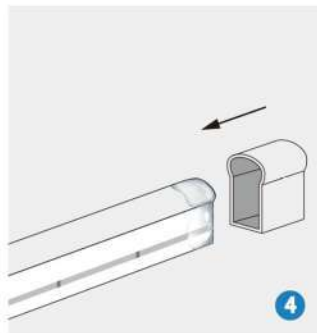
1 Cut the appropriate place



2 Finished the cutting



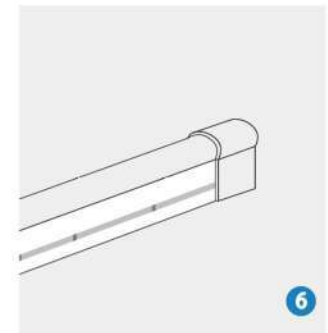
3 coat the section with silicone uniformly after cutting



4 Insert the section into the plug according to direction of arrow



5 Dry the plug with heat gun until the silicone is firm



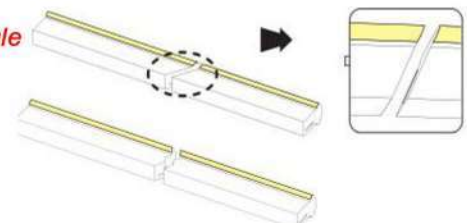
6 The effect of finished plug installation

Note:

1. Place the light horizontally when cutting it.
2. Use only the factory-recommended cutter.
3. Cut the light according to the indication line on the light and minimum cutting length (100mm)

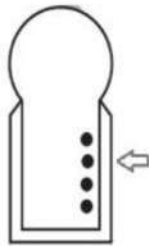
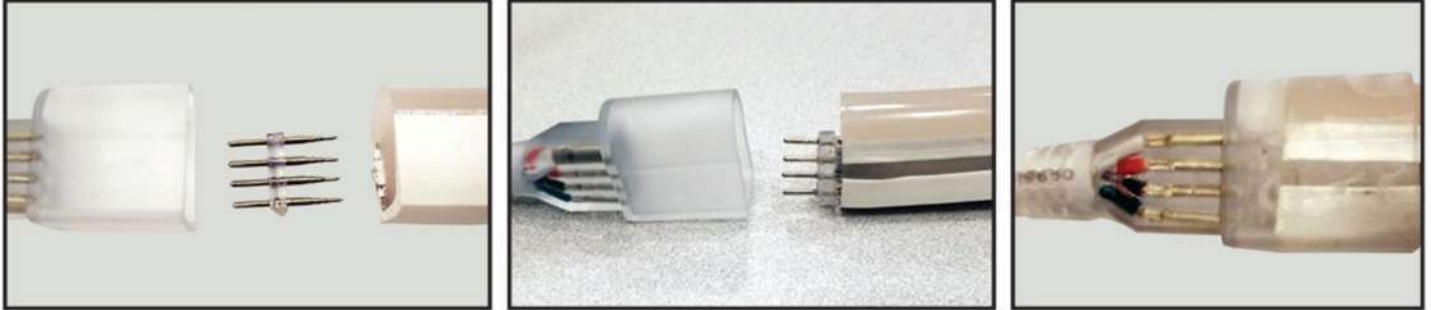
Incorrect cutting & operation will damage the circuitry.

Incorrect
 Do not cut on an angle



Splice Pin Connection Guide

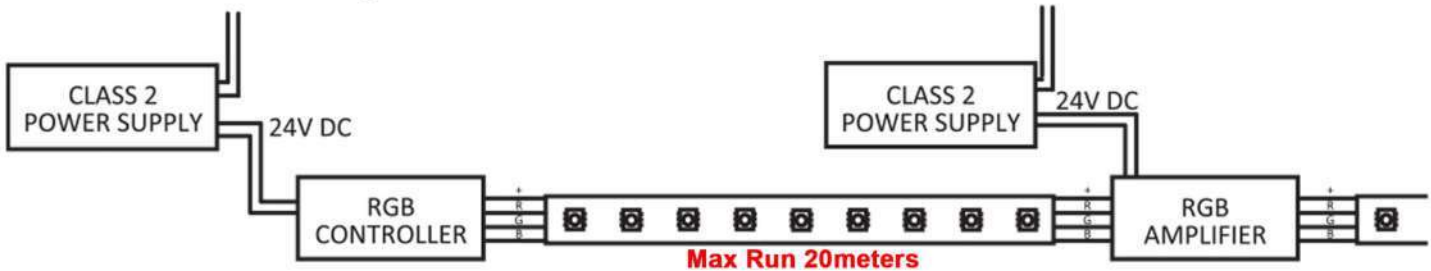
Holding the smooth side of the power pins with a pair of pliers, line up the barbed side of the pins with either the two or four wires of the light. Push barbed pins into the RGB LED Neon, making sure to make solid contact with internal wires.



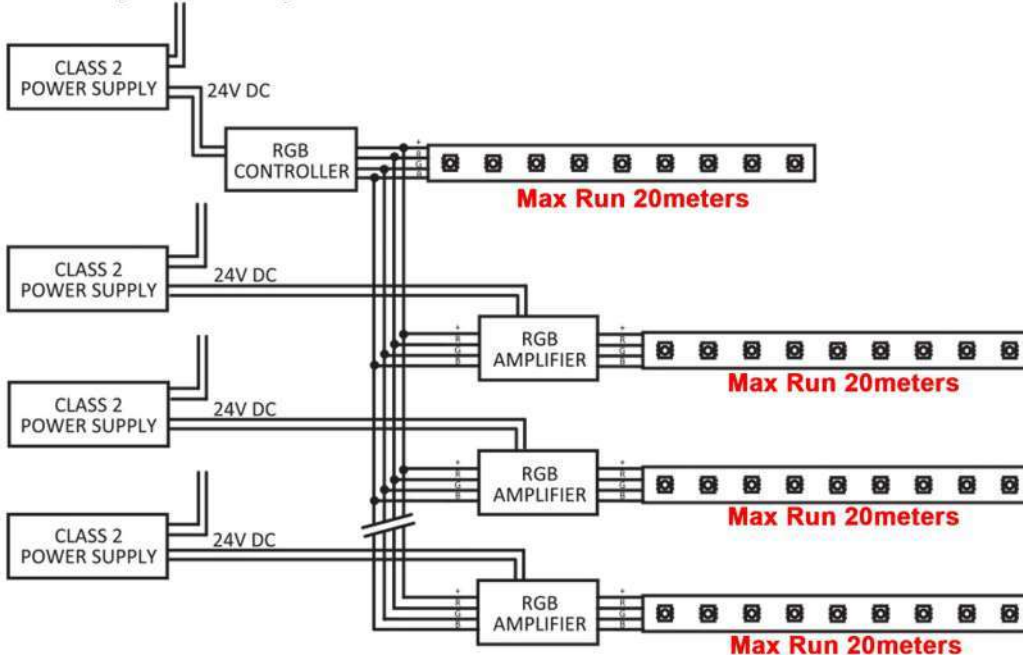
Note:
 The RGB LED Neon has 4 wires, the second wire from the light surface is Anode.
 Make sure to connect with the controller's Anode wire accordingly, otherwise will burn the controller.
 + second wire is '+', please make sure this wire not connect wrong, otherwise will burn the controller

Installation Guide

A. Linear Installation Layout



B. Multiple Run Layout



The RGB LED Neon can be powered on by connecting one end to the controller. It can be different lengths or combined with other connectors.
 But each length must not exceed 20meters and the combined lengths cannot overload the controller's limit.