

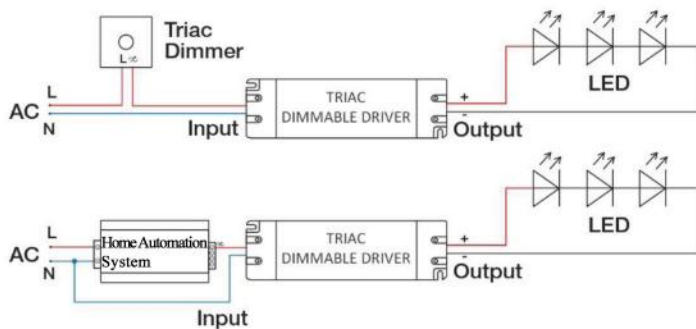
Triac Dimmable Power Supply



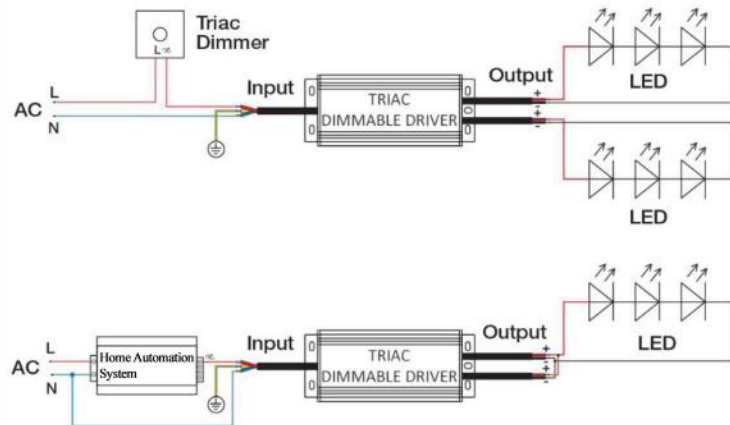
FEATURES

- Input: 100 to 130 VAC
- Output Voltage: 12V or 24V
- Efficiency: more than 85%
- Power factor: 95%
- Dimmable: Triac and 0-10V options
- IP Rating: IP20 or IP66
- ETL Listed certification

CONNECTIONS INDOOR MODEL (IP20)



CONNECTIONS OUTDOOR MODEL (IP66)



SPECIFICATIONS

Model No.	Max Load	Input Voltage	Nominal Output Voltage	IP Rating	Dimensions w/o enclosure (LxWxH)	Dimensions with enclosure (LxWxH)	
D21-24W-12CVT	24W	100-130V	12V	IP20	155x54x20	350x77x26	
D21-48W-12CVT	48W			IP20	178x61x24	350x77x26	
D21-60W-12CVT	48W			IP20	180x60x35	350x77x37	
D21-80W-12CVT	48W			IP67	230x70x46	380x77x57	
D21-100W-12CVT	100W			IP67	230x70x46	380x77x57	
D21-120W-12CVT	120W			IP67	230x70x46	380x77x57	
D21-150W-12CVT	150W			IP67	256x78x47	406x87x60	
D21-200W-12CVT	200W		IP67	256x78x47	406x87x60		
D21-24W-24CVT	24W		24V	24V	IP20	155x54x20	350x77x26
D21-48W-24CVT	48W				IP20	178x61x24	350x77x26
D21-60W-24CVT	60W				IP20	180x60x35	350x77x37
D21-80W-24CVT	80W				IP67	230x70x46	380x77x57
D21-96W-24CVT	98W				IP67	230x70x46	380x77x57
D21-120W-24CVT	120W				IP67	230x70x46	380x77x57
D21-150W-24CVT	150W	IP67			256x78x47	406x87x60	
D21-200W-24CVT	200W	IP67	256x78x47	406x87x60			