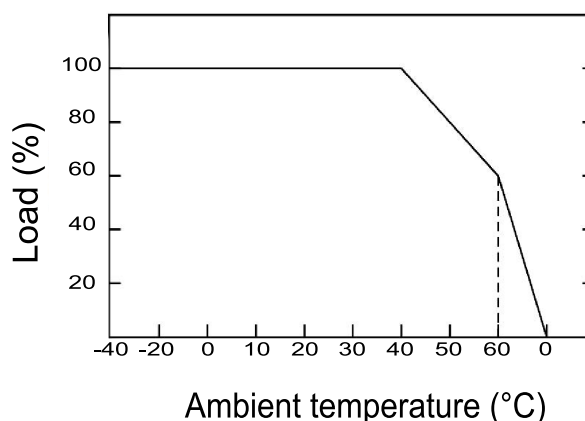




## Features:

- Constant voltage output.
- Efficiency: >90%.
- Built-in PFC function / PF>0.98.
- Free-air convection cooling.
- Wide-range input voltage: 100VAC to 277VAC.

## Derating Curve:



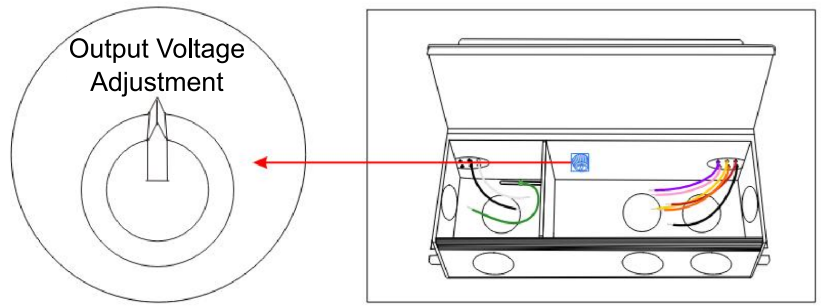
## Specifications

Power Rating		180W (3x60W)	192W (2X96W)	288W (3x96W)	300W (5x60W)	384W (4x96W)
Output	DC Voltage	12V	24V	24V	12V	24V
	Voltage Tolerance	±0.5V				
	Voltage Regulation	±0.5%				
	Load Regulation	±1.0%				
	Rated Current	15A (3x5A)	8A (2x4A)	12A (3x4A)	25A (5x5A)	16A (4x4A)
Input	Voltage Range	100VAC - 277VAC				
	Frequency Range	47Hz - 63Hz				
	Power Factor (@Full Load)	0.99@120VAC 0.98@277VAC	0.99@120VAC 0.98@277VAC	0.99@120VAC 0.98@277VAC	0.99@120VAC 0.98@277VAC	0.99@120VAC 0.98@277VAC
	Efficiency (@Full Load)	90%@120VAC 91%@277VAC	90%@120VAC 91%@277VAC	91%@120VAC 92%@277VAC	91%@120VAC 92%@277VAC	92%@120VAC 93%@277VAC
	Leakage Current	<0.50mA				
Protection	Short Circuit	Shut down o/p voltage. Restart to recover after fixing issues				
	Over-Loading	≤120% Hiccup mode. Automatic recovery after fixing issues				
	Over-Heating	100°C±10°C shut down o/p voltage. Automatic recovery after cooling				
Working Environment	Working Temperature	-40°C to +60°C				
	Working Humidity	20%RH to 90%RH, non-condensing				
	Temp. Coefficient	±0.03% per 1°C				
Others	Size (mm <sup>3</sup> )	218x120.5x42	218x120.5x42	258x120.5x42	258x120.5x42	258x120.5x42

## Wire Specifications

Input		
Function	Color	Wire Gauge
AC L	Black	18AWG
AC N	White	18AWG
Ground	Green	18AWG
Output		
Function	Color	Wire Gauge
DC+	Red	18AWG
DC-	Black	18AWG

## Output Voltage Fine-Tuning:



Fine tune voltage to: 12V output - 9V to 13V  
24V output - 17V to 25V

## Dimensions:

